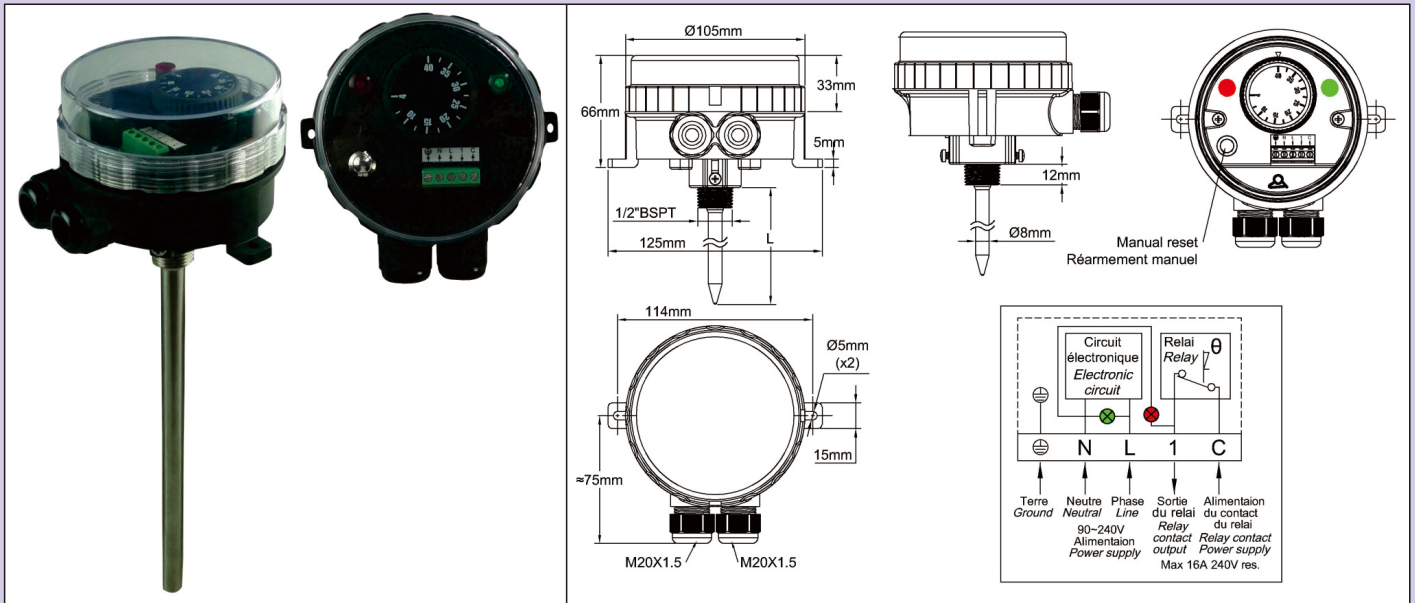


Probe sensor adjustable manual reset electronic limiters

Enclosure	Type	Operation	Contact	Measurement	Ranges °C	Models
IP66,IK10	Limiter	Electronic	SPNO or SPNC	Probe		YF43NC & YF45NC
Material						
PA66 & PC						



Applications

- Equipment requesting a very strong resistance to water ingress. The transparent cover allows to visualize the set point and the 2 pilot lights.

These **electronic** rod thermostats are installed inside pockets as immersion thermostats in pipelines and containers, and for monitoring temperature in air ducts.

- Manual reset allows the use as **high temperature alarm**

Housing: Protection class IP 66 upon EN 60529 (waterproof spray water under high pressure and sea splashes, totally dust tight). Body in black PA66, fiber glass reinforced. The transparent polycarbonate cover can be unscrewed by hand, but it is also possible to use a hook spanner.

Set point adjustment: By °C printed knob. All types have an adjustable rotation limit system located inside the knob that allows reducing the set point adjustment span. °F printed knobs available as an option

Operation: Microprocessor electronic thermostat.

Set point adjustment ranges: -4-40°C (40-105°F); 30-90°C (85-195°F); 30-110°C (85-230°F).

Manual reset button: located beside the knob

Sensing element: Dia. 5mm NTC sensor (10KOhms @25°C), inside nickel plated brass pocket. Thread 1/2" BSPT. Tube outside diameter 8mm. Maximum temperature on the probe: 120°C (250°F). Located at the bottom of the housing, 2 screws are used to secure standard pockets. (See the compatible brass pockets range in the accessories section).

Pilot lights: One pilot light visualizes the thermostat contact output position. The other visualizes the power supply input. Phase and neutral supply lines are mandatory for these pilot lights.

Cable input and output: Two M20 cable glands, built-in black PA66.

Electrical connections: Inside, on screw terminal connection block. It is possible to connect 2 wires 1.5mm² on each terminal.

Earthing: Internal screw terminal.

Mounting: By the pocket thread or by 2 legs with holes for screws dia. 4 to 5 mm, 114 mm distance.

Identification: Identification label on backside

Contact: SPST. 16A (2.6), 250VAC. Open or close on temperature rise.

Model with contact closing on temperature rise is used to switch on an alarm. Version with contact opening on temperature rise is used to switch off heating.

Electrical life: >100.000 cycles.

Minimum storage temperature: -35°C (-30°F)

Maximum ambient temperature: 60°C (140°F)

For more technical information see 2PE2N6 thermostat technical data sheet

Probe sensor adjustable manual reset electronic limiters

(P2)

Main references

Temperature adjustment ranges°C (°F)	References with SPNC contact, open on temperature rise	References with SPNO contact, close on temperature rise	Pocket length (L, mm)	Temperature sensing length(mm)
4-40°C (40-105°F)	YF43NC04040118UJ	YF44NC04040118UJ	110	50
4-40°C (40-105°F)	YF43NC04040178UJ	YF44NC04040178UJ	170	50
4-40°C (40-105°F)	YF43NC04040238UJ	YF44NC04040238UJ	230	50
4-40°C (40-105°F)	YF43NC04040308UJ	YF44NC04040308UJ	300	50
4-40°C (40-105°F)	YF43NC04040458UJ	YF44NC04040458UJ	450	50
4-40°C (40-105°F)	YF43NC04040608UJ	YF44NC04040608UJ	600	50
30-90°C (85-195°F)	YF43NC30090118UJ	YF44NC30090118UJ	110	50
30-90°C (85-195°F)	YF43NC30090178UJ	YF44NC30090178UJ	170	50
30-90°C (85-195°F)	YF43NC30090238UJ	YF44NC30090238UJ	230	50
30-90°C (85-195°F)	YF43NC30090308UJ	YF44NC30090308UJ	300	50
30-90°C (85-195°F)	YF43NC30090458UJ	YF44NC30090458UJ	450	50
30-90°C (85-195°F)	YF43NC30090608UJ	YF44NC30090608UJ	600	50
30-110°C (85-230°F)	YF43NC30110118UJ	YF44NC30110118UJ	110	50
30-110°C (85-230°F)	YF43NC30110178UJ	YF44NC30110178UJ	170	50
30-110°C (85-230°F)	YF43NC30110238UJ	YF44NC30110238UJ	230	50
30-110°C (85-230°F)	YF43NC30110308UJ	YF44NC30110308UJ	300	50
30-110°C (85-230°F)	YF43NC30110458UJ	YF44NC30110458UJ	450	50
30-110°C (85-230°F)	YF43NC30110608UJ	YF44NC30110608UJ	600	50

°F printing: replace last character (J) by K

Knob printings

°C Printing			°F Printing		
4-40°C	30-90°C	30-110°C	40-105°F	85-195°F	85-230°F
